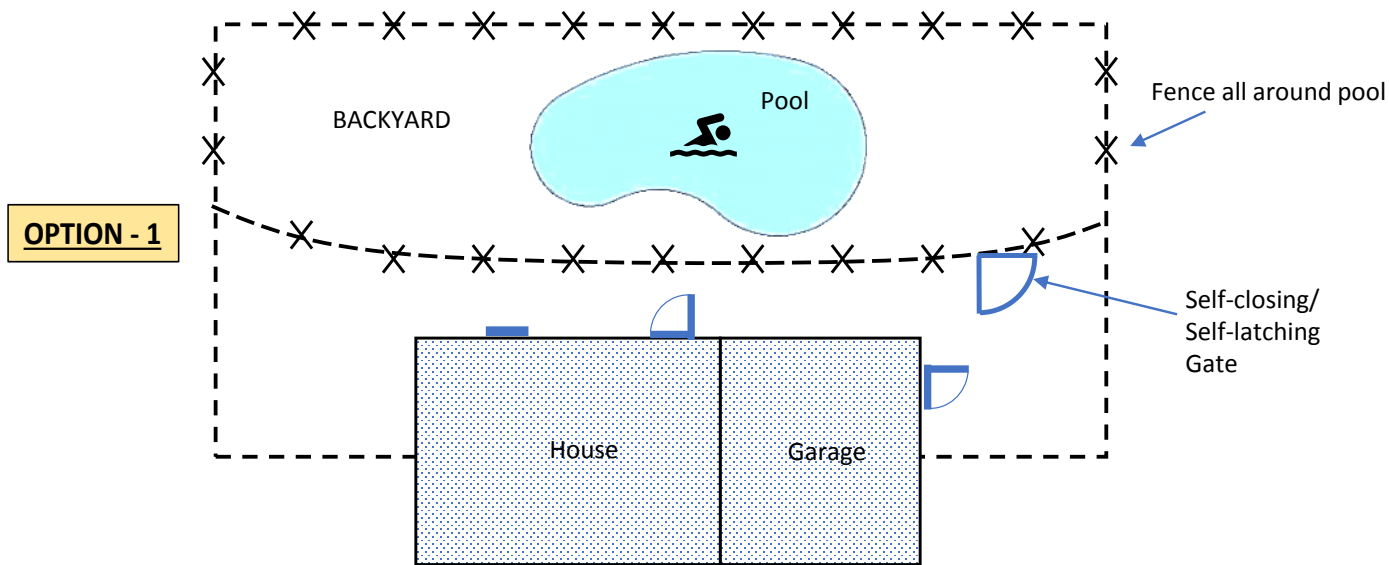


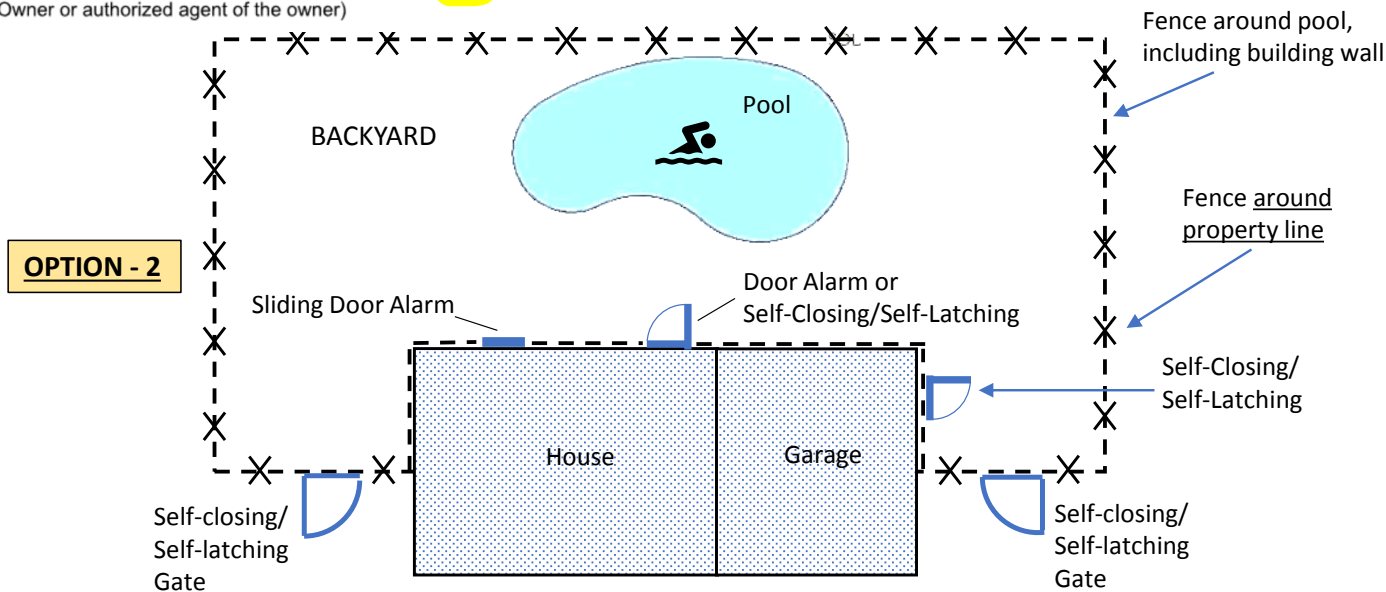
SWIMMING POOL DROWNING PREVENTION SAFETY FEATURES MEASURE

Effective January 1, 2018, Health and Safety Code Section 115922 (Building Code Section 3109.4.4.2) requires new swimming pools or spas or remodeled swimming pools or spas at a private single-family home to be **equipped with at least 2 drowning prevention safety features**. Compliance with the pool enclosure requirements (**see below OPTION 1 & OPTION 2**) serves as one of the required safety features. A second feature from the list below must also be installed.



Print Name _____
(Owner or authorized agent of the owner)

Signature _____ Date _____
(Owner or authorized agent of the owner)



DROWNING PREVENTION SAFETY FEATURES (SECOND FEATURE): AT LEAST ONE FEATURE MUST BE CHOSEN

- A pool alarm that, when placed in the pool, will sound upon detection of entrance into the water. The pool alarm shall meet ASTM Standard F2208.
- Removable mesh fencing that meets ASTM Standard F2286 – 60” high minimum
- A pool safety cover that meets ASTM Standard F1346
- Other means of protection, if the degree of protection afforded is equivalent to the other devices specified above, and has been independently verified by an approved testing laboratory as meeting standards for the device established by ASTM or ASME.

Note: Release mechanism for doors with direct access from home or accessory structures shall be placed no lower than 54” above the floor, and for gates through enclosure shall be placed no lower than 60” above the ground.